

## Power supply unit type Z-1



Movable power supply unit type Z-1 is an electrical device designed for use in underground mining pits in non-explosive hazard conditions or on the ground.

Power supply unit type Z-1 is designed for connecting and switching on one receiver only of protection class II (especially power tools) for the rated voltage of 230 V. This power supply is equipped with extension cable ended with plug (125A/500V), length of extension cable may not exceed 100m.

The device is equipped with power protection against short-circuits and overloads.

### TECHNICAL DATA

ingress protection	IP54
rated power supply voltage	500V
rated drain voltage	230V
rated power	1000VA;1600VA;2500VA,3200VA
rated drain current	4,3A ; 7,0A ; 11A ; 13,0A
number of outlets	1
number of phases	1
frequency	50Hz
dimensions	400x350x700 mm (W x D x H)
weight	up to 30 kg
maximum cross-section of the power supply cable	up to 4 mm <sup>2</sup>

**Note: rated power of power tools cannot exceed 10 A.**

## CONSTRUCTION

The power supply unit housing is made of steel sheet and comprises of a power supply and control compartment.

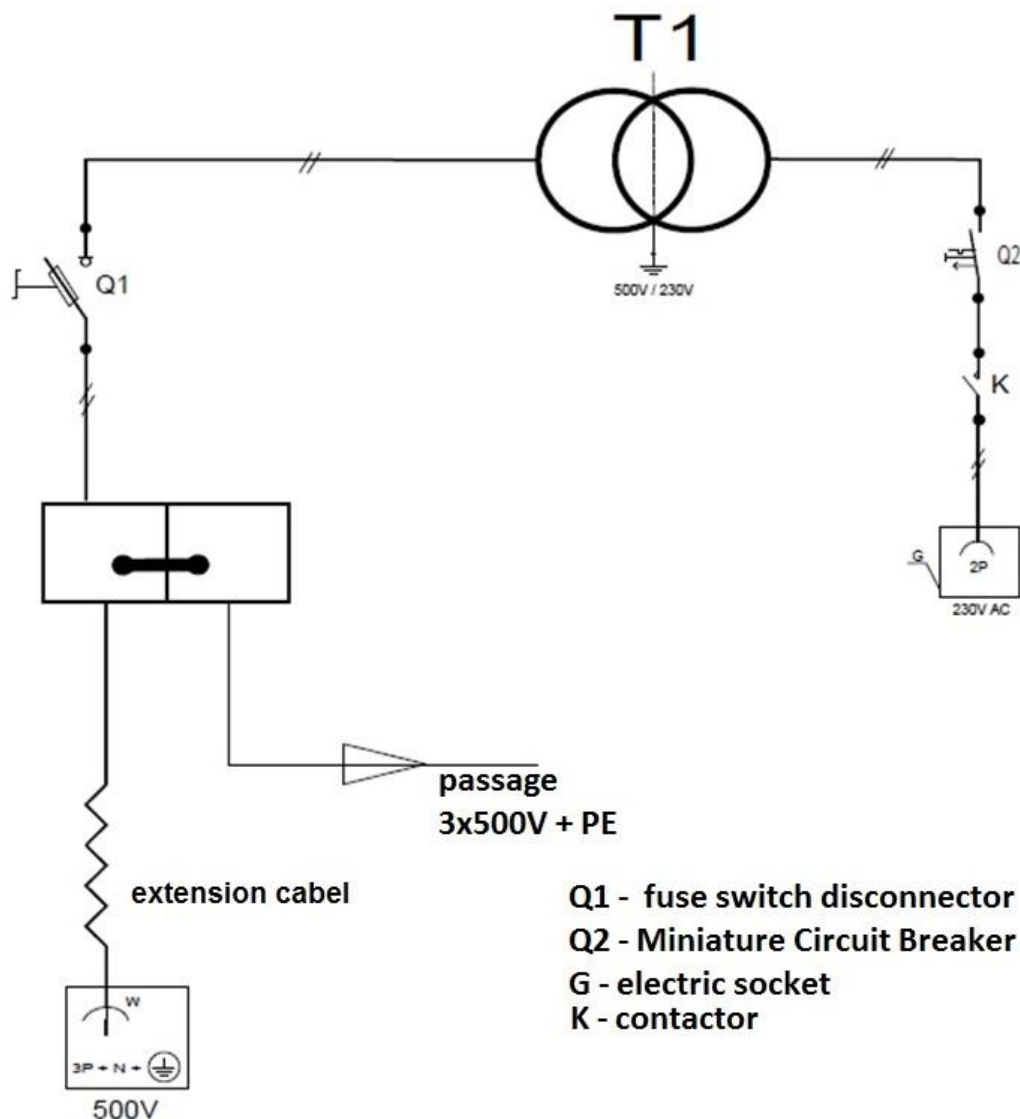
The device is set in a construction made of a square steel profile and the housing has got firings allowing for fixing of housing and extension cable.

## MODE OF OPERATION

The control of 230V outlet is carried out with the buttons on the face of the power supply unit. The switching-on of the unit is possible after plugging in to the socket in the power supply unit. Any attempt to unplug causes shutting down the power supply unit.

On the 500V side of the power supply unit, there is a switch fuse and on the 230V side one outlet is equipped with the power protection against short-circuits and overloads. In the 230V outlet circuit electrical separation of the single circuit has been applied in accordance with p.2.9.3 PN-G 50001: 2002 using a separation transformer.

## SCHEMATIC DIAGRAM



Orders should be submitted in writing or by fax to the address:

 **Instal-Service PL**

Spółka z ograniczoną odpowiedzialnością  
Spółka komandytowa

58-506 Jelenia Góra, ul. Wrocławska 15a  
tel. (+48 075) 64-57-950  
fax. (+48 075) 64-57-951  
e-mail: instal@instal-service.pl